



# Model FT025 Non-Metallic

AIR OPERATED DOUBLE DIAPHRAGM PUMPS

## Specifications

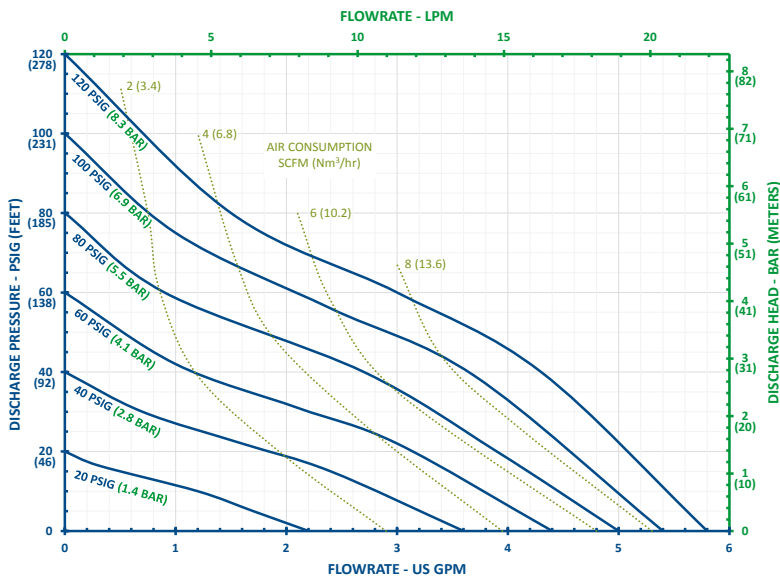
Suction & Discharge Size:	I.D.: 1/4" O.D.: 3/4"
Standard Porting Location*:	End
Connection Types:	FNPT/FBSPT & MNPT/MBSPT
Air Inlet Size:	1/8" FNPT OR FBSPT

\*Optional NPT/BSP threaded center port location in either horizontal or vertical position

## Capabilities

Maximum Flow Rate:	5.8 gpm (22 lpm)
Maximum Air Supply Pressure:	120 psi (8.3 bar)
Displacement Per Stroke:	0.005 gal (0.02 lit)
Minimum Air Inlet Pressure:	10 psig (0.7 bar) - PTFE 20 psig (1.4 bar) - Santoprene
Maximum Particle Size :	0.06 in (1.8 mm)
Sound Pressure:	65.3 dB(A)
Operating Temperature:	Determined by elastomers

## Performance



Note: Full stroke diaphragm allows performance to be equal for all elastomers.



## Typical Applications

- Acids & Bases
- Plating Solutions
- Wastewater
- Paints, Inks, Solvents
- Ceramic Slip and Glaze
- Lubricants and Oils

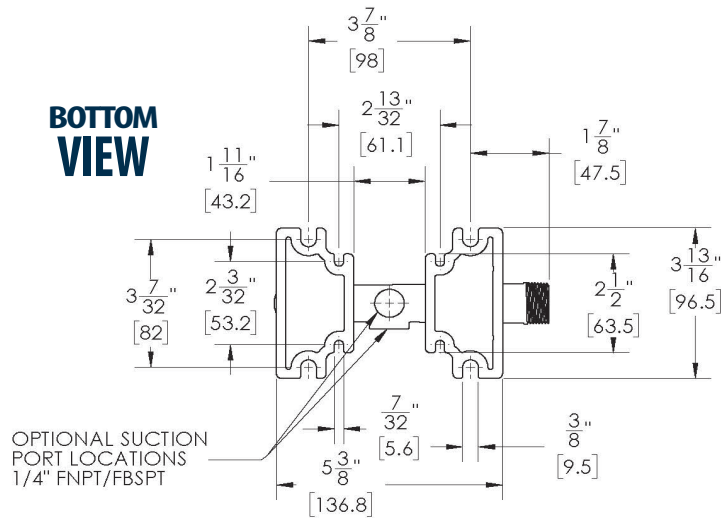
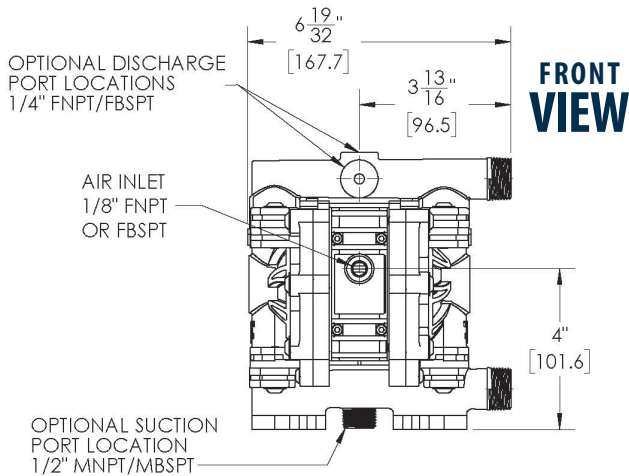
## Typical Industries

- Mining
- Paints and Coatings
- Ceramics
- Pulp and Paper
- Electroplating & Anodizing
- Wastewater
- Marine
- Chemical Manufacturing & Distribution
- OEM's

## Construction

Wetted Materials:	Polypropylene, PVDF, ** Conductive Polypropylene
Diaphragm Materials:	Santoprene™, PTFE
Air Valve:	GFRPP, Conductive Acetal
Ball Materials:	Santoprene™, PTFE
Seat Materials:	Polypropylene, PVDF, Carbon Filled PTFE
O-ring Materials:	Santoprene™, FEP/FKM

Santoprene™ is a registered tradename of Exxon Mobil Corp.  
Hytre® is a registered tradename of Dupont™  
Pat. <http://ftiair.com/resources/ip/>



# CHANGE IS IN THE AIR

## Dimensions

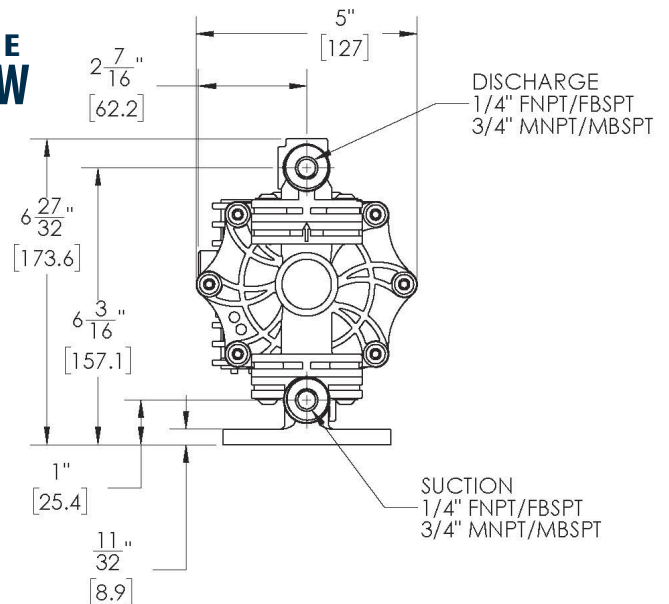
Maximum Height:	6-7/8 in (174 mm)
Maximum Width:	5 in (127 mm)
Maximum Depth:	6-5/8 in (168 mm)

## Weight

Polypropylene & ** Conductive Polypropylene:	2.3 lb (1.0 kg)
PVDF:	3.1 lb (1.4 kg)

\*\*ATEX Certification (conductive polypropylene only)  
II 2GD Ex h IIC T6 Gb  
II 2GD Ex h IIIC T6 Db

## SIDE VIEW



### FTI AIR

921 GREENGARDEN ROAD ERIE, PA 16501  
Tel: (800) 934-9384 • Fax: (814) 459-3460  
[www.FTIAIR.com](http://www.FTIAIR.com)

