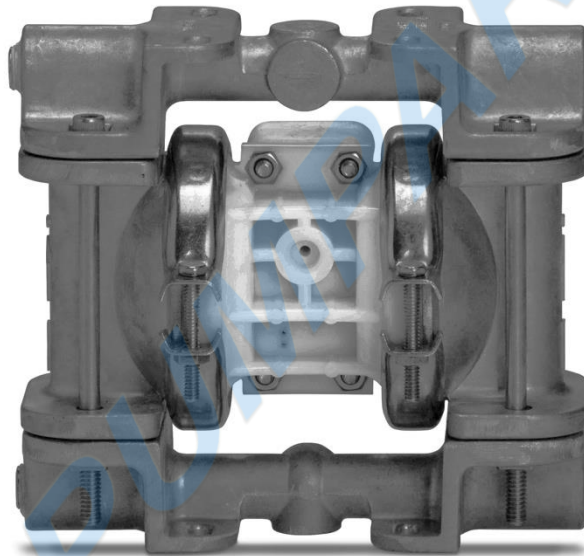


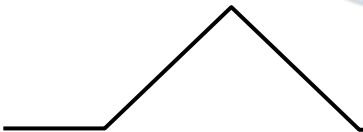
EOM

ENGINEERING OPERATION
& MAINTENANCE

P.025 Clamped Metal Pump

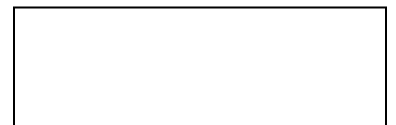


e-ARTS®



Where Innovation Flows

WILDEN®



WIL-10080-E-06

Contents

Section 1: Precautions - Read First!	4
Section 2: Wilden Pump Designation System	5
Section 3: How It Work—Pump & Air Distribution System	6
Section 4: Dimensional Drawings	7
Section 5: Performance	8
P.025 Metal-Fitted.....	8
P.025 Rubber-Fitted.....	8
P.025 TPE-Fitted.....	9
Suction-Lift Curves.....	10
Section 6: Suggested Installation, Operation, Maintenance and Troubleshooting	11
Section 7: Disassembly / Reassembly	14
Pump Disassembly.....	14
Air Valve / Center Section Disassembly.....	17
Reassembly Hints & Tips.....	19
Section 8: Exploded View and Parts List	21
P.025 Metal Rubber/TPE-Fitted.....	21
P.025 Metal PTFE-Fitted.....	23
Section 9: Elastomer Options	25

Copyright

Copyright 2018 PSG[®], a Dover Company. All rights reserved.

PSG reserves the right to modify the information and illustrations in this document without prior notice. The product described in this document is furnished under a license agreement or nondisclosure agreement. No part of this document may be reproduced, stored in a retrieval system, or transmitted in any form or any means electronic or mechanical, including photocopying and recording, without the written permission of PSG, a Dover Company, except as described by the terms of those agreements.

This is a non-contractual document. 01-2019.

Trademarks

PSG and the PSG logo are registered trademarks of PSG. Wilden[®] is a registered trademark of PSG California LLC. Pro-Flo[®] SHIFT and Pro-Flo[®] are registered trademarks of PSG California LLC. Wil-Flex[®] is a trademark of PSG California LLC. Saniflex[™] is a trademark of PSG California LLC.

All trademarks, names, logos and service marks (collectively "trademarks") in this document are registered and unregistered trademarks of their respective owners. Nothing contained in this document should be construed as granting any license or right to use any trademark without the prior written permission of the trademark owner.

Warranty

Each and every product manufactured by Wilden is built to meet the highest standards of quality. Every pump is functionally tested to insure integrity of operation. Wilden warrants that pumps, accessories and parts manufactured or supplied by it to be free from defects in material and workmanship for a period of five (5) years from date of installation or six (6) years from date of manufacture, whichever comes first.


For more information, and to register your Wilden pump for warranty, please visit <https://www.psgdover.com/wilden/support/warranty-registration>.

Certifications



Section 1

Precautions - Read First!


 **TEMPERATURE LIMITS:**


Acetal	-29°C to 82°C	-20°F to 180°F
Buna-N	-12°C to 82°C	10°F to 180°F
Geolast®	-40°C to 82°C	-40°F to 180°F
Neoprene	-18°C to 93°C	0°F to 200°F
Nordel® EPDM	-51°C to 138°C	-60°F to 280°F
Nylon	-18°C to 93°C	0°F to 200°F
PFA	-7°C to 107°C	45°F to 225°F
Polypropylene	0°C to 79°C	32°F to 175°F
Polyurethane	-12°C to 66°C	10°F to 150°F
PVDF	-12°C to 107°C	10°F to 225°F
Saniflex™	-29°C to 104°C	-20°F to 220°F
SIPD PTFE with EPDM-backed	4°C to 137°C	40°F to 280°F
SIPD PTFE with Neoprene-backed	4°C to 93°C	40°F to 200°F
PTFE ¹	4°C to 104°C	40°F to 220°F
FKM	-40°C to 177°C	-40°F to 350°F
Wil-Flex™	-40°C to 107°C	-40°F to 225°F


¹ 4°C to 149°C (40°F to 300°F) - 13 mm (1/2") and 25 mm (1") models only.


NOTE: Not all materials are available for all models. See "Wilden Pump Designation System" on page 5 for material options for your pump.


 **CAUTION:** When choosing pump materials, be sure to check the temperature limits for all wetted components.


 **CAUTION:** Maximum temperature limits are based upon mechanical stress only. Certain chemicals will significantly reduce maximum safe operating temperatures. Consult engineering guide for chemical compatibility and temperature limits.


 **WARNING:** Always wear safety glasses when operating pump. If diaphragm rupture occurs, material being pumped may be forced out air exhaust.


 **CAUTION:** Prevent static sparking — If static sparking occurs, fire or explosion could result. Pump, valves, and containers must be properly grounded when handling flammable fluids and whenever discharge of static electricity is a hazard.


 **CAUTION:** Do not exceed 8.6 bar (125 psig) air supply pressure.


 **CAUTION:** Before any maintenance or repair is attempted, the compressed air line to the pump should be disconnected and all air pressure allowed to bleed from pump. Disconnect all intake, discharge and air lines. Drain the pump by turning it upside down and allowing any fluid to flow into a suitable container.


 **CAUTION:** Blow out air line for 10 to 20 seconds before attaching to pump to make sure all pipe line debris is clear. Use an in-line air filter. A 5µµ(micron) air filter is recommended.

 **CAUTION:** Tighten clamp bands and manifold bolts prior to installation. Fittings may loosen during transportation.

 **NOTE:** Before starting disassembly, mark a line from each liquid chamber to its corresponding air chamber. This line will assist in proper alignment during reassembly.

 **NOTE:** Verify the chemical compatibility of the process and cleaning fluid to the pump's component materials in the Chemical Resistance Guide.

 **NOTE:** The P .025 pump is not submersible.

 **CAUTION:** Pump performance will be seriously hampered if pump is installed upside down.

Section 2

WILDEN PUMP DESIGNATION SYSTEM

P.025 METAL

6 mm (1/4") Pump
Maximum Flow Rate:
18.9 lpm (5.0 gpm)

LEGEND

P.025 / X X X X X / XXX / XX / X XX / XXXX

MODEL

WETTED PATH

OUTER PISTON

CENTER SECTION

AIR VALVE

DIAPHRAGMS

VALVE BALLS

VALVE SEAT

O-RINGS

SPECIALTY CODE
(if applicable)

MATERIAL CODES

MODEL

P.025 = PRO-FLO®

WETTED PATH

A = ALUMINUM
S = STAINLESS STEEL

OUTER PISTON

A = ALUMINUM
M = MILD STEEL
S = STAINLESS STEEL
Z = NO OUTER PISTON

CENTER SECTION

LL = ACETAL
PP = POLYPROPYLENE

AIR VALVE

L = ACETAL
P = POLYPROPYLENE

DIAPHRAGMS

BNS = BUNA-N (Red Dot)
TEL = PTFE w/EPDM BACKUP
O-RING, IPD (White)
TNL = PTFE W/NEOPRENE
BACKUP O-RING,
IPD (White)
WFS = WIL-FLEX™ [Santoprene®
(Three Black Dots)]

VALVE BALLS

TF = PTFE (White)

VALVE SEATS

A = ALUMINUM
H = ALLOY C
S = STAINLESS STEEL

VALVE SEAT O-RINGS

BN = BUNA-N
TF = PTFE (White)
TV = PTFE ENCAP. FKM
WF = WIL-FLEX™ (Santoprene®)

MANIFOLD O-RINGS

BN = BUNA-N (Red Dot)
TF = PTFE (White)

SPECIALTY CODES

- 0502 PFA coated hardware
- 0512 Adapter block, no muffler, Pro-Flo®, center section
- 0560 Split manifold
- 0562 Split manifold, BSPT
- 0670 Inlet manifold, dual ported, NPT
- 0671 Inlet manifold, dual ported, BSPT

NOTE: Most elastomeric materials use colored dots for identification.
NOTE: Not all models are available with all material options.

Section 3

HOW IT WORKS — PUMP

The Wilden diaphragm pump is an air-operated, placement, self-priming pump. These drawings show the flow pattern through the pump upon its initial stroke. It is assumed the pump has no fluid in it prior to its initial stroke.

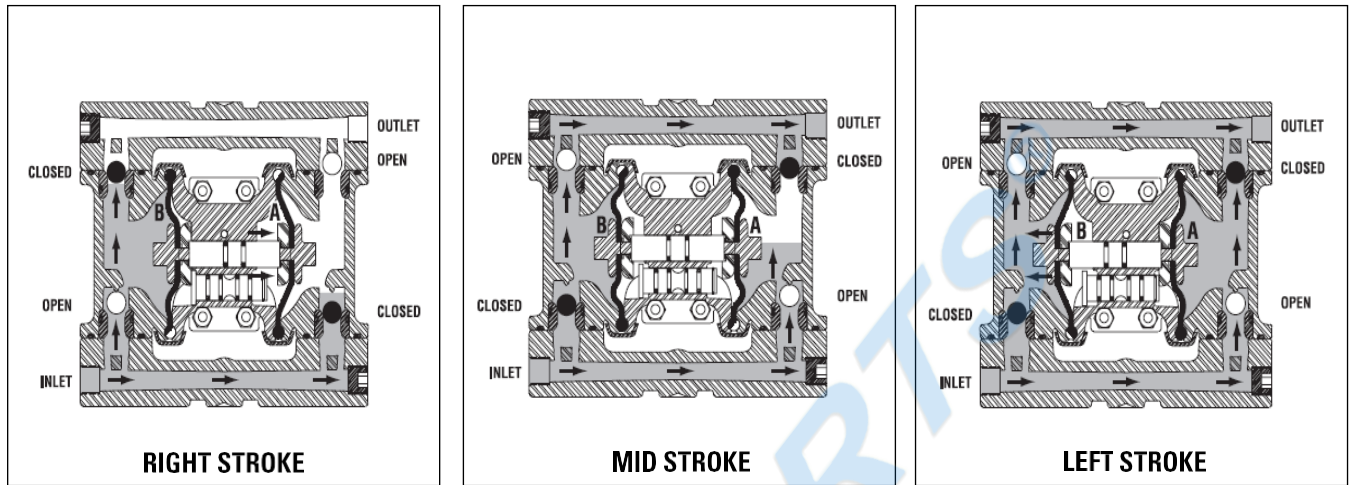
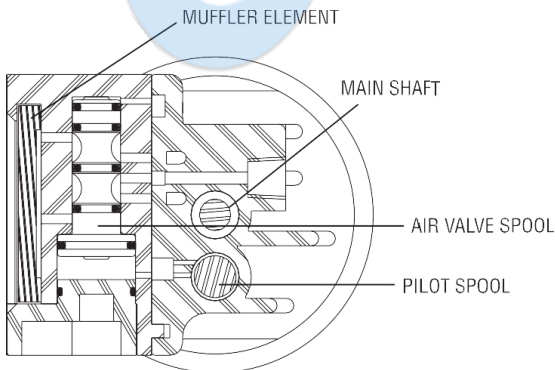


FIGURE 1 The air valve directs pressurized air to the back side of diaphragm A. The compressed air is applied directly to the liquid column separated by elastomeric diaphragms. The diaphragm acts as a separation membrane between the compressed air and liquid, balancing the load and removing mechanical stress from the diaphragm. The compressed air moves the diaphragm away from the center block of the pump. The opposite diaphragm is pulled in by the shaft connected to the pressurized diaphragm. Diaphragm B is on its suction stroke; air behind the diaphragm has been forced out to the atmosphere through the exhaust port of the pump. The movement of diaphragm B toward the center block of the pump creates a vacuum within chamber B. Atmospheric pressure forces fluid into the inlet manifold forcing the inlet valve ball off its seat. Liquid is free to move past the inlet valve ball and fill the liquid chamber (see shaded area).

FIGURE 2 When the pressurized diaphragm, diaphragm A, reaches the limit of its discharge stroke, the air valve redirects pressurized air to the back side of diaphragm B. The pressurized air forces diaphragm B away from the center block while pulling diaphragm A to the center block. Diaphragm B is now on its discharge stroke. Diaphragm B forces the inlet valve ball onto its seat due to the hydraulic forces developed in the liquid chamber and manifold of the pump. These same hydraulic forces lift the discharge valve ball off its seat, while the opposite discharge valve ball is forced onto its seat, forcing fluid to flow through the pump discharge. The movement of diaphragm A toward the center block of the pump creates a vacuum within liquid chamber A. Atmospheric pressure forces fluid into the inlet manifold of the pump. The inlet valve ball is forced off its seat allowing the fluid being pumped to fill the liquid chamber.

FIGURE 3 At completion of the stroke, the air valve again redirects air to the back side of diaphragm A, which starts diaphragm B on its exhaust stroke. As the pump reaches its original starting point, each diaphragm has gone through one exhaust and one discharge stroke. This constitutes one complete pumping cycle. The pump may take several cycles to completely prime depending on the conditions of the application.

HOW IT WORKS — AIR DISTRIBUTION SYSTEM

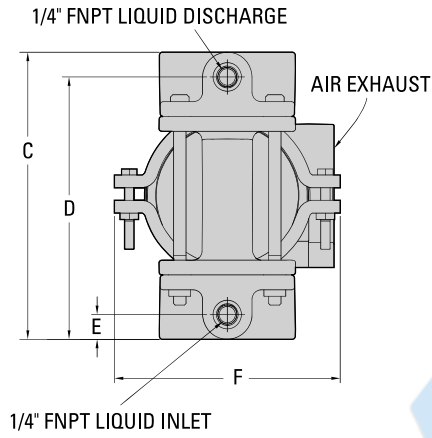
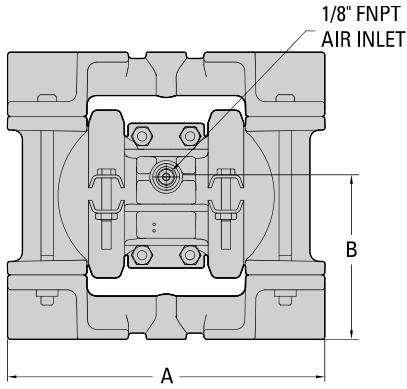


The Pro-Flo® patented air distribution system incorporates three moving parts: the air valve spool, the pilot spool, and the main shaft/diaphragm assembly. The heart of the system is the air valve spool and air valve. As shown in Figure 1, this valve design incorporates an unbalanced spool. The smaller end of the spool is pressurized continuously, while the large end is alternately pressurized and exhausted to move the spool. The spool directs pressurized air to one chamber while exhausting the other. The air causes the main shaft/diaphragm assembly to shift to one side — discharging liquid on one side and pulling liquid in on the other side. When the shaft reaches the end of its stroke, it actuates the pilot spool, which pressurizes and exhausts the large end of the air valve spool. The pump then changes direction and the same process occurs in the opposite direction, thus reciprocating the pump.

Section 4

DIMENSIONAL DRAWING

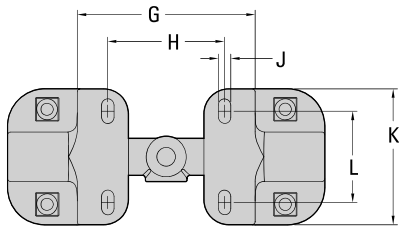
P.025 Metal



DIMENSIONS

ITEM	METRIC (mm)	STANDARD (inch)
A	165	6.5
B	84	3.3
C	147	5.8
D	135	5.3
E	13	0.5
F	114	4.5
G	91	3.6
H	61	2.4
J	8	0.3
K	71	2.8
L	46	1.8

LW0348 REV. B.



ePUMPARTS

Section 5

PERFORMANCE

**P.025 METAL
RUBBER-FITTED**

Ship Weight..... Aluminum 1.8 kg (4 lb)
 Stainless Steel 4.0 kg (8.9 lb)
 Hastelloy® 4.3 kg (9.5 lb)

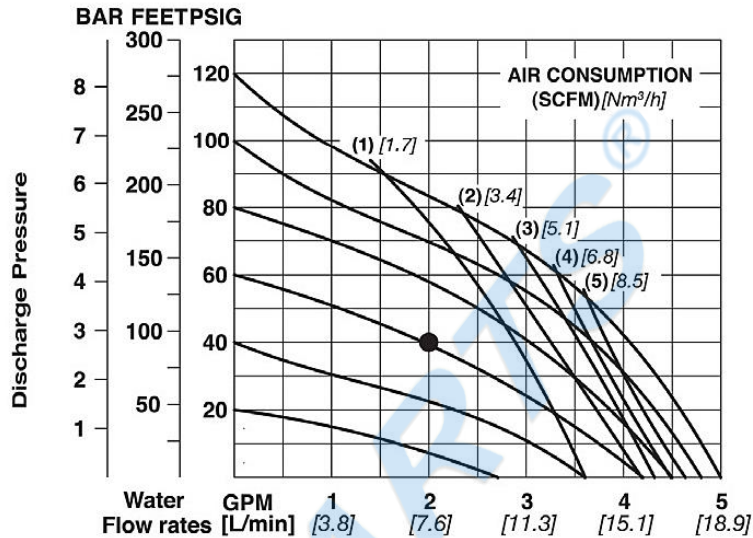
Air Inlet.....3.2 mm (1/8")
 Inlet..... 6.4 mm (1/4")
 Outlet 6.4 mm (1/4")
 Suction Lift 3.3 m Dry (10'8")
 9.3 m Wet (30'6")

Disp. Per Stroke¹ 0.02 L (0.005 gal)
 Max. Flow Rate..... 18.91 lpm (5 gpm)
 Max. Size Solids..... 0.4 mm (1/64")

¹Displacement per stroke was calculated at 70 psig (4.8 bar) air inlet pressure against a 30 psig (2 bar) head pressure.

Example: To pump 7.6 lpm (2 gpm) against a discharge pressure head of 40 psig (2.8 bar) requires 4.1 bar (61 psig) and 1.2 Nm³/h (0.7 scfm) air consumption. (See dot on chart.).

Caution: Do not exceed 8.6 bar (125 psig) air supply pressure.



Flow rates indicated on chart were determined by pumping water.

For optimum life and performance, pumps should be specified so that daily operation parameters will fall in the center of the pump's performance curve.

**P.025 METAL
TPE-FITTED**

Ship Weight..... Aluminum 1.8 kg (4 lb)
 Stainless Steel 4.0 kg (8.9 lb)
 Hastelloy® 4.3 kg (9.5 lb)

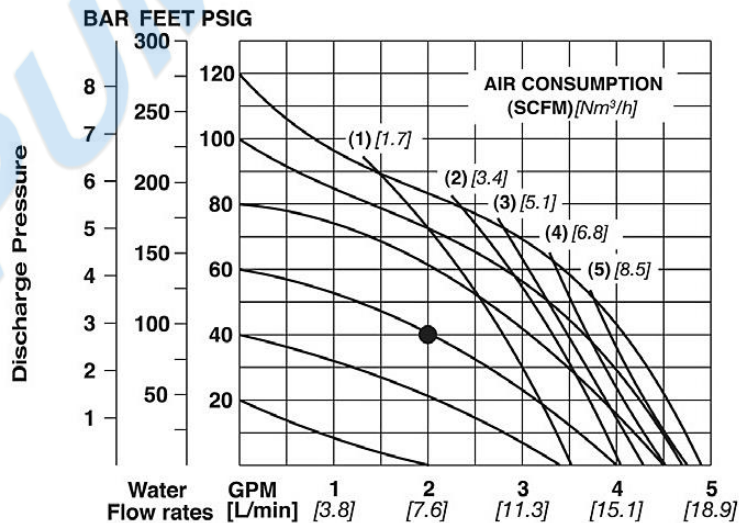
Air Inlet.....3.2 mm (1/8")
 Inlet..... 6.4 mm (1/4")
 Outlet 6.4 mm (1/4")
 Suction Lift 3.3 m Dry (10'8")
 9.3 m Wet (30'6")

Disp. Per Stroke¹ 0.02 L (0.005 gal)
 Max. Flow Rate..... 18.91 lpm (5 gpm)
 Max. Size Solids..... 0.4 mm (1/64")

¹Displacement per stroke was calculated at 70 psig (4.8 bar) air inlet pressure against a 30 psig (2 bar) head pressure.

Example: To pump 7.6 lpm (2 gpm) against a discharge pressure head of 40 psig (2.8 bar) requires 4.0 bar (59 psig) and 1.1 Nm³/h (0.7 scfm) air consumption. (See dot on chart.).

Caution: Do not exceed 8.6 bar (125 psig) air supply pressure.



Flow rates indicated on chart were determined by pumping water.

For optimum life and performance, pumps should be specified so that daily operation parameters will fall in the center of the pump's performance curve.

PERFORMANCE

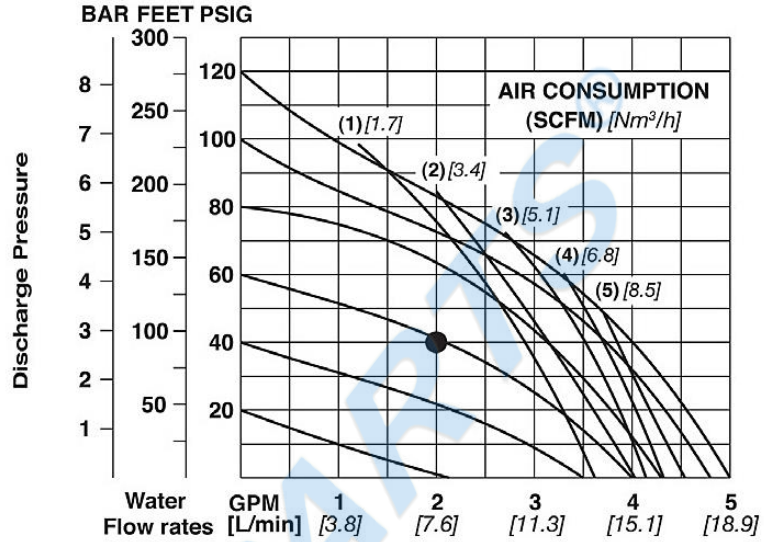
P.025 METAL PTFE-FITTED

Ship Weight Aluminum 1.8 kg (4 lb)
 Stainless Steel 4.0 kg (8.9 lb)
 Hastelloy® 4.3 kg (9.5 lb)
 Air Inlet..... 3.2 mm (1/8")
 Inlet..... 6.4 mm (1/4")
 Outlet 6.4 mm (1/4")
 Suction Lift 4 m Dry (13')
 9.5 m Wet (31'2")
 Disp. Per Stroke¹ 0.02 L (0.005 gal)
 Max. Flow Rate..... 18.9 lpm (5 gpm)
 Max. Size Solids..... 0.4 mm (1/64")

¹Displacement per stroke was calculated at 70 psig (4.8 bar) air inlet pressure against a 30 psig (2 bar) head pressure.

Example: To pump 7.6 lpm (2 gpm) against a discharge pressure head of 2.8 bar (40 psig) requires 4.0 bar (58 psig) and 1.0 Nm³/h (0.6 scfm) air consumption. (See dot on chart.)

Caution: Do not exceed 8.6 bar (125 psig) air supply pressure.



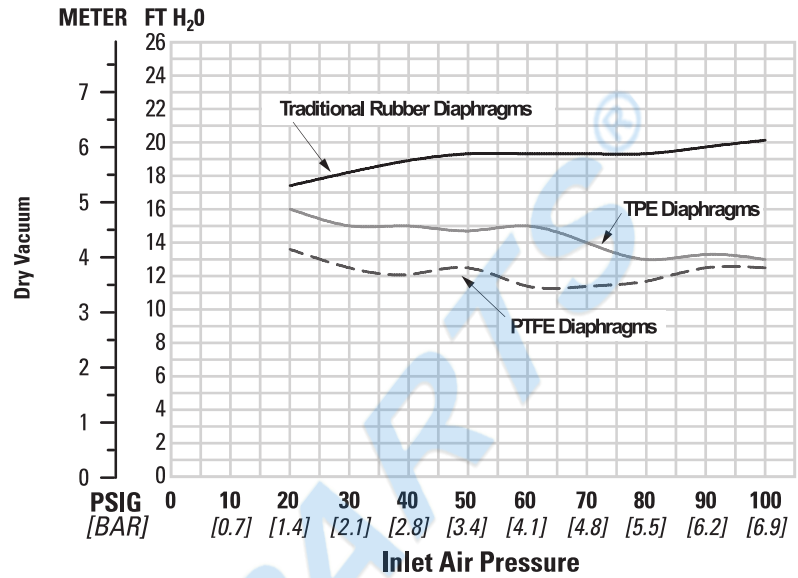
Flow rates indicated on chart were determined by pumping water.

For optimum life and performance, pumps should be specified so that daily operation parameters will fall in the center of the pump's performance curve.

SUCTION LIFT CURVES

P.025 METAL SUCTION - LIFT CAPABILITY

Suction-lift curves are calibrated for pumps operating at 305 m (1,000') above sea level. This chart is meant to be a guide only. There are many variables that can affect your pump's operating characteristics. The number of intake and discharge elbows, viscosity of pumping fluid, elevation (atmospheric pressure) and pipe friction loss all affect the amount of suction lift your pump will attain.




Section 6

Suggested Installation, Operation, Maintenance and Troubleshooting

The Pro-Flo model P.025 has a 6 mm (1/4") inlet and 6 mm (1/4") outlet and is designed for flows to 18 .9 lpm (5 gpm). The P.025 metal pump is manufactured with wetted parts of aluminum Hastelloy® and stainless steel. The center section of the P.025 metal is constructed of virgin acetal or polypropylene. A variety of diaphragms and O-rings are available to satisfy temperature, chemical compatibility, abrasion and flex concerns.

The suction pipe size should be at least 6 mm (1/4") diameter or larger if highly viscous material is being pumped. The suction hose must be non-collapsible, reinforced type as the P .025 is capable of pulling a high vacuum. Discharge piping should be at least 6 mm (1/4"); larger diameter can be used to reduce friction losses. It is critical that all fittings and connections are airtight or a reduction or loss of pump suction capability will result.

 **CAUTION:** All fittings and connections must be airtight. Otherwise, pump suction capability will be reduced or lost.

Months of careful planning, study and selection efforts can result in unsatisfactory pump performance if installation details are left to chance. You can avoid premature failure and long-term dissatisfaction by exercising reasonable care throughout the installation process.

Location

Noise, safety and other logistical factors usually dictate where equipment will be situated on the production floor. Multiple installations with conflicting requirements can result in congestion of utility areas, leaving few choices for additional pumps.


Within the framework of these and other existing conditions, locate every pump in such a way that the following six key factors are balanced against each other to maximum advantage:

- **Access:** First, the location should be accessible. If it's easy to reach the pump, maintenance personnel will be able to perform routine inspections and adjustments more easily. If major repairs become necessary, ease of access can play a key role in speeding the repair process and reducing total downtime.
- **Air Supply:** Every pump location should have an air line large enough to supply the volume of air necessary to achieve the desired pumping rate. For best results, the pumps should use a 5µ (micron) air filter, needle valve and regulator. The use of an air filter before the pump will ensure that the majority of any pipeline contaminants will be eliminated.
- **Solenoid Operation:** When operation is controlled by a solenoid valve in the air line, three-way valves should be used. This valve allows trapped air between the valve and the pump to bleed off, which improves pump performance. You can estimate pumping volume by counting the number of strokes per minute, and then multiplying that figure by the displacement per stroke.
- **Muffler:** Using the standard Wilden muffler, sound levels are reduced below OSHA specifications. You can use other mufflers to reduce sound levels farther, but they usually reduce pump performance.
- **Elevation:** Selecting a site that is well within the pump's dynamic lift capability will assure that loss-of-prime issues will be eliminated. In addition, pump efficiency can be adversely affected if proper attention is not given to site location.
- **Piping:** Final determination of the pump site should not be made until the piping challenges of each possible location have been evaluated. The impact of current and future installations should be considered ahead of time to make sure that inadvertent restrictions are not created for any remaining sites.

The best choice possible will be a site involving the shortest and straightest hook-up of suction and discharge piping. Unnecessary elbows, bends and fittings should be avoided. Pipe sizes should be selected to keep friction losses within practical limits. All piping should be supported independently of the pump. In addition, the piping should be aligned to avoid placing stress on the pump fittings.

Flexible hose can be installed to aid in absorbing the forces created by the natural reciprocating action of the pump. If the pump is to be bolted down to a solid location, a mounting pad placed between the pump and the foundation will assist in minimizing pump vibration. Flexible connections between the pump and rigid piping will also assist in minimizing pump vibration. If quick-closing valves are installed at any point in the discharge system, or if pulsation within a system becomes a problem, a surge suppressor (SD Equalizer) should be installed to protect the pump, piping and gauges from surges and water hammer.

If the pump is to be used in a self-priming application, make sure that all connections are airtight and that the suction lift is within the model's ability.


 **NOTE:** Materials of construction and elastomer material have an effect on suction lift parameters. Please refer to "Performance " on [page 8](#) for specifics.


When pumps are installed in applications involving flooded suction or suction head pressures, a gate valve should be installed in the suction line to permit closing of the line for pump service.


The P.025 cannot be used in submersible applications.

Pumps in service with a positive suction head are most efficient when inlet pressure is limited to 0.5–0.7 bar (7–10 psig). Premature diaphragm failure may occur if positive suction is 0.7 bar (10 psig) and higher.

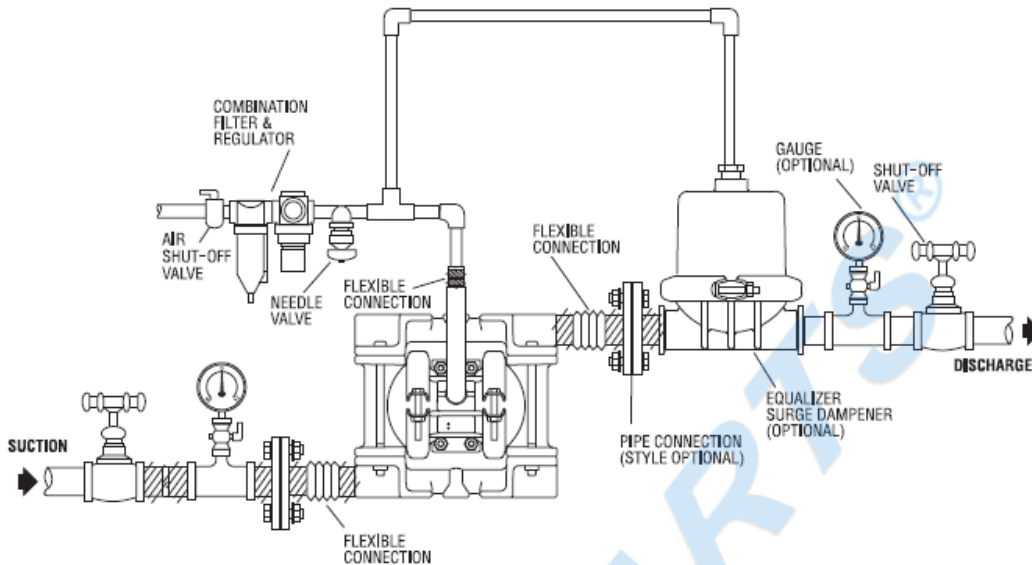
The model P.025 will pass 0.4 mm (1/64") solids. Whenever the possibility exists that larger solid objects may be sucked into the pump, a strainer should be used on the suction line.

 **NOTE:** Pro-Flo® and Accu-Flo™ pumps do not have a single-point exhaust option and are not submersible.

 **CAUTION:** All Wilden pumps are capable of passing solids. A strainer should be used on the pump intake to ensure that the pump's rated solids capacity is not exceeded.

 **CAUTION:** Do not exceed 8.6 bar (125 psig) air supply pressure.

Suggested Installation, Operation, Maintenance and Troubleshooting



NOTE: In the event of a power failure, close the shut-off valve if you do not want the pump to restart when the power returns.

Air-Operated Pumps: To stop the pump from operating in an emergency situation, simply close the shut-off valve (user-supplied) installed in the air supply line. A properly functioning valve will stop the air supply to the pump, therefore stopping output. This shut-off valve should be located far enough away from the pumping equipment such that it can be reached safely in an emergency situation.

NOTE: Wilden 6 mm (1/4") metal pumps come standard side-ported with 2 NPT or BSP pipe plugs for side inlet and discharge porting. Center, top and bottom inlet and discharge porting are optional. Simply drill flat areas provided with a 7/16" drill bit for NPT or 11 mm drill bit for BSP and tap with an NPT or BSP tap as needed.

NOTE: Wilden offers drum pump kits for the Metal P.025/A.025 pump (bung base and pick-up tube) for convenient drum pumping (P/N 50-9290-20/23/55).

Operation

The P.025 are pre-lubricated and do not require in-line lubrication. Additional lubrication will not damage the pump. However, if the pump is heavily lubricated by an external source, the pump's internal lubrication may be washed away. If the pump is then moved to a nonlubricated location, it may need to be disassembled and re-lubricated as described in "Disassembly/Reassembly" on page 14.

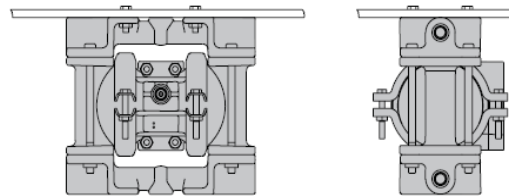
Pump discharge rate can be controlled by limiting the volume and/or pressure of the air supply to the pump. An air regulator is used to

regulate air pressure. A needle valve is used to regulate volume. Pump discharge rate also can be controlled by throttling the pump discharge by partially closing a valve in the discharge line of the pump. This action increases friction loss, which reduces flow rate. (See "Performance" on page 8.) This is useful when the need exists to control the pump from a remote location. When the pump discharge pressure equals or exceeds the air supply pressure, the pump will stop. No bypass or pressure relief valve is needed, and pump damage will not occur. The pump has reached a "deadhead" situation and can be restarted by reducing the fluid discharge pressure or increasing the air inlet pressure. Wilden Pro-Flo pumps run solely on compressed air and do not generate heat.

Therefore, your process fluid temperature will not be affected.

Maintenance and Inspections

Because each application is unique, maintenance schedules may be different for every pump. Frequency of use, line pressure, viscosity and abrasiveness of process fluid all affect the parts life of a Wilden pump. Periodic inspections have been found to offer the best means for preventing unscheduled pump downtime. Personnel familiar with the pump's construction and service should be informed of any abnormalities that are detected during operation.



NOTE: This pump can be mounted from the underside of a flat surface providing you more flexibility in tight areas/systems.

CAUTION: Pump performance will be seriously hampered if pump is installed upside down.

Suggested Installation, Operation, Maintenance and Troubleshooting

Troubleshooting

Pump will not run or runs slowly.

1. Remove plug from pilot spool exhaust.
2. Ensure that the air inlet pressure is at least 0.4 bar (5 psig) above startup pressure and that the differential pressure (the difference between air inlet and liquid discharge pressures) is not less than 0.7 bar (10 psig).
3. Check air inlet filter for debris (see "Suggested Installation, Operation, Maintenance and Troubleshooting" on page 11).
4. Check for extreme air leakage (blow by) that would indicate worn seals/bore in the air valve, pilot spool and main shaft.
5. Disassemble the pump and check for obstructions in the air passageways or objects that would obstruct the movement of internal parts.
6. Check for sticking ball check valves.
 - a. If material being pumped is not compatible with pump elastomers, swelling may occur. Replace ball check valves and seals with proper elastomers.
 - b. Also, as the check valve balls wear out, they become smaller and can become stuck in the seats. In this case, replace balls and seats.
7. Check for any broken inner piston that would cause the air valve spool to be unable to shift.

3. Check for sticking ball check valves.
 - a. If material being pumped is not compatible with pump elastomers, swelling may occur. Replace ball check valves and seals with proper elastomers.
 - b. Also, as the check valve balls wear out, they become smaller and can become stuck in the seats. In this case, replace balls and seats.

Pump air valve freezes.

1. Check for excessive moisture in the compressed air.
 - a. Either install a dryer or a hot air generator for compressed air.
 - b. Alternatively, you may use coalescing filter to remove the water from the compressed air in some applications.

Air bubbles in pump discharge.

1. Check for a ruptured diaphragm.
2. Check tightness of outer pistons (see Disassembly/Reassembly on page 14).
3. Check tightness of fasteners and integrity of O-rings and seals, especially at intake manifold.
4. Ensure pipe connections are airtight.

Pump runs, but little or no product flows.

1. Check for pump cavitation. Slow pump speed down to allow thick material to flow into liquid chambers.
2. Verify that vacuum required to lift liquid is not greater than the vapor pressure of the material being pumped (cavitation).

Product comes out air exhaust.

1. Check for a diaphragm rupture.
2. Check the tightness of the outer pistons to the shaft.

Section 7

Disassembly / Reassembly

Pump Disassembly

Tools Required:

- 3/16" Hex-Head Wrench
- 7/16" Wrench or Socket for Rubber-Fitted
- 5/16" Wrench or Socket
- 3/8" Wrench O-Ring Pick
- 3/16" Rod or Equivalent)



CAUTION: Before any maintenance or repair is attempted, the compressed air line to the pump should be disconnected and all air pressure allowed to bleed from pump. Disconnect all intake, discharge, and air lines. Drain the pump by turning it upside down and allowing any fluid to flow into a suitable container. Wetted flushing of parts may be required prior to handling.

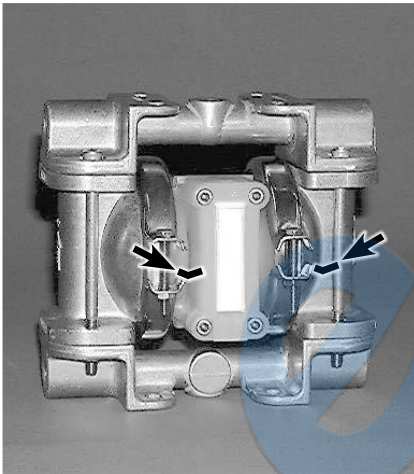
The Wilden model P .025 is an air-operated, double-diaphragm pump with all wetted parts of aluminum, stainless steel or Hastelloy®. The single-piece center section, consisting of center block and air chambers, is molded from acetal or polypropylene. The air valve is manufactured of acetal or polypropylene. All O-rings used in the pump are of special materials and should only be replaced with factory-supplied parts.

To expedite parts ordering, please find an exploded view of the P .025 model at the back of this manual.

PLEASE read all directions before starting disassembly.

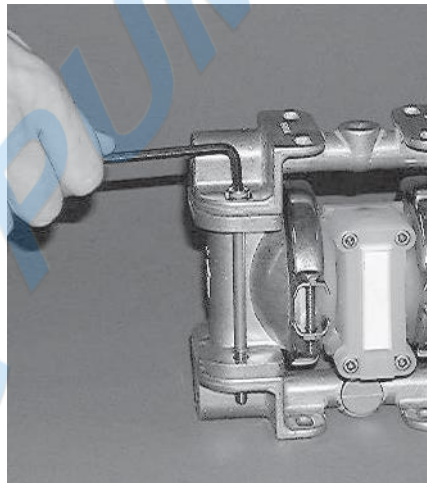


NOTE: Replace worn parts with genuine Wilden parts for reliable performance.



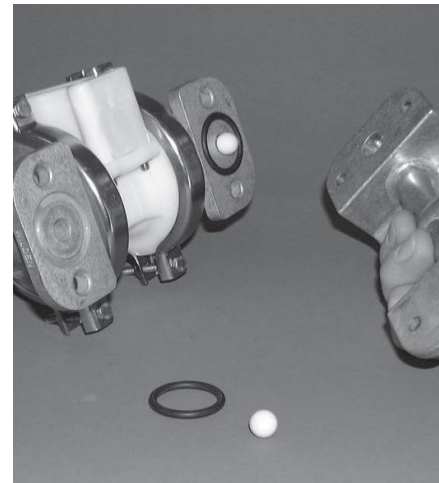
Step 1

Before actual disassembly is started, turn pump upside down and drain all liquid trapped in the pump into a suitable container. Be sure to use proper caution if liquid is corrosive or toxic. Mark each liquid chamber to its respective air chamber for easy alignment during reassembly.



Step 2

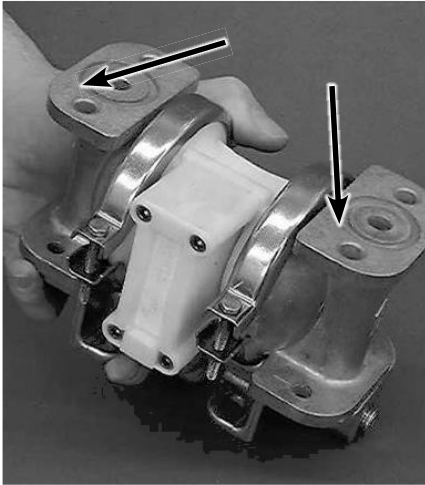
Using a 3/16" hex-head wrench, loosen the four manifold bolts. Remove the top and bottom manifolds.



Step 3

Inspect both manifolds, manifold O-rings, and valve balls. If swelling, cracking or other damage is apparent, these parts must be replaced with genuine Wilden parts.

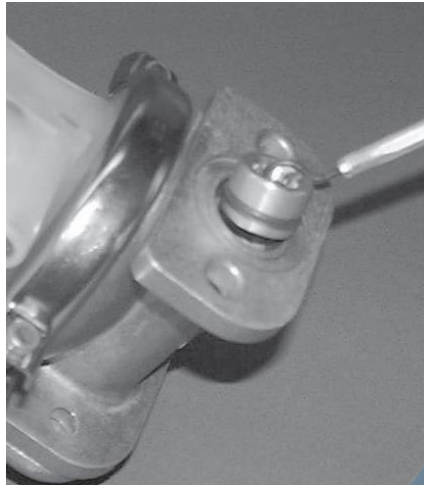
Disassembly / Reassembly



Step 4

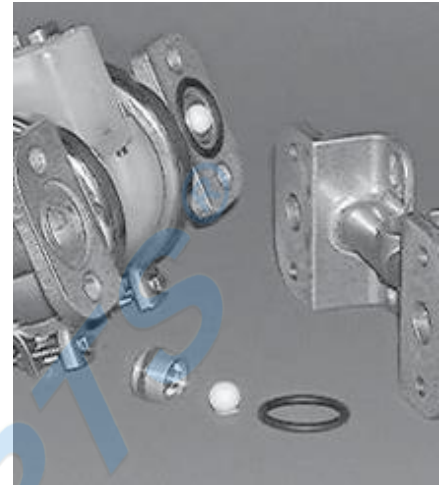


NOTE: Top valve seats of aluminum P .025 pumps are cast in the liquid chamber.



Step 4a

To remove top and bottom valve seats, on stainless steel or Hastelloy® pumps, use an O-ring pick and pull seats out from top to bottom or use 3/16" rod and push seats through.

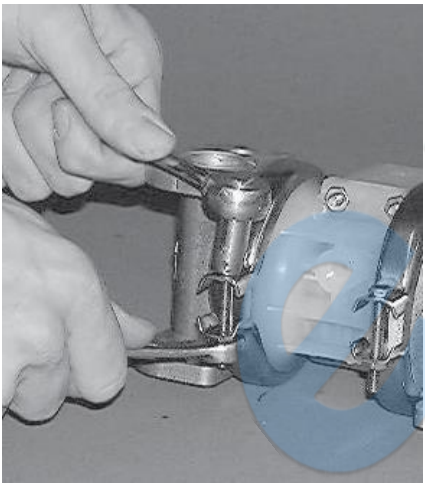


Step 5

Remove bottom manifold. Inspect balls and seats for abrasion. Inspect seat O-rings and manifold O-rings for swelling, cracking, or other damage. These parts should be replaced if damage is observed.

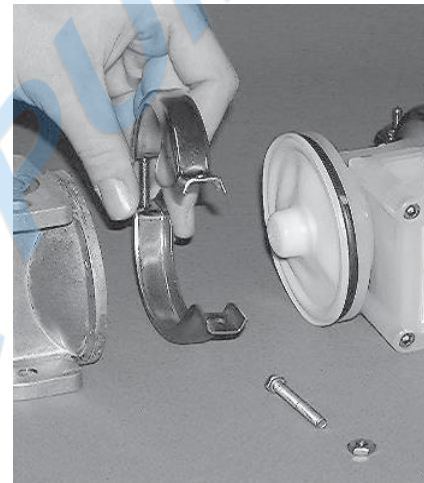


NOTE: Aluminum pumps require two (2) O-rings per valve seat.



Step 6

Loosen clamp band with 5/16" socket and 3/8" wrench. Remove screw and nut.



Step 7

After clamp bands are removed, pull chambers away from center section.



Step 8

Remove diaphragm by turning in counterclockwise direction.



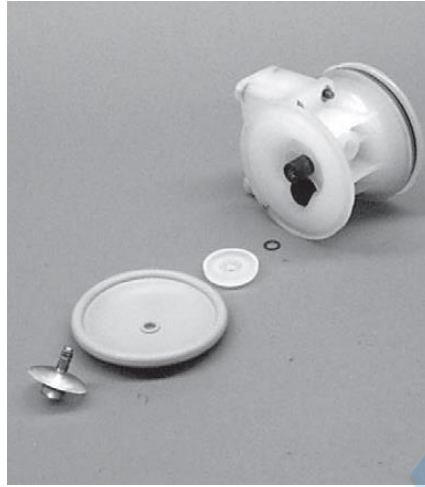
NOTE: PTFE-fitted pumps (shown) utilize a Neoprene back-up O-ring. Rubber or TPE-fitted pumps do not. (See Step 10 for details .).

Disassembly / Reassembly



Step 9

Pull off PTFE diaphragm and O-ring. Twist off remaining diaphragm in counterclockwise direction. Inspection of diaphragms and O-rings is now possible.



Step 10

For Rubber-/TPE-fitted pumps, remove the outer piston with 7/16" wrench. You are now able to remove the complete assembly. Inspection of diaphragms and outer pistons is now possible.

Disassembly / Reassembly

Air Valve / Center Section Disassembly

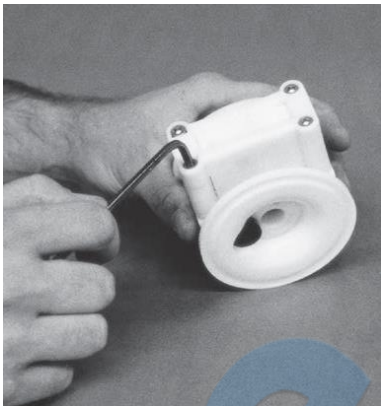
Tools Required:

- 5/32" Hex-Head Wrench
- O-Ring Pick



CAUTION: Before any maintenance or repair is attempted, the compressed air line to the pump should be disconnected and all air pressure allowed to bleed from the pump. Disconnect all intake, discharge, and air lines. Drain the pump by turning it upside down and allowing any fluid to flow into a suitable container. Be aware of hazardous effects of contact with your process fluid.

The P.025 pump utilizes the revolutionary Pro-Flo air distribution system. A 3.2 mm (1/8") air inlet connects the air supply to the center section. Proprietary composite seals reduce the coefficient of friction and allow the P.025 to run lube-free. Constructed of acetal or polypropylene, the Pro-Flo air distribution system is designed to perform in on/off, non-freezing, non-stalling, tough duty applications.



Step 1

Remove air valve screws from center section with a 5/32" hex-head wrench.

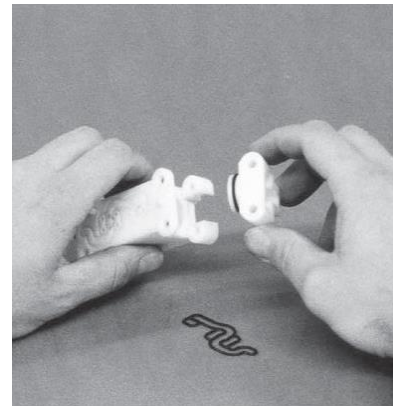


Step 2

Take care while removing air valve not to damage gasket.



NOTE: Air valve has molded-in alignment pins for proper positioning during assembly.



Step 3

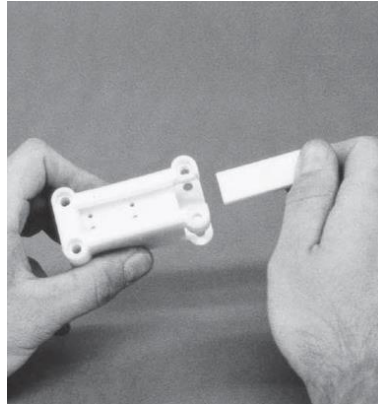
Remove air valve end cap by simply pulling it away from air valve body (no tools required). Inspect O-ring and replace as needed with genuine Wilden parts.

Disassembly / Reassembly



Step 4

The air valve spool can now be removed. A 10-24 UNC (Unified National Coarse) thread screw can be screwed into the threaded hole located in the center of the spool. Grip the screw with pliers and remove. If a 10-24 UNC screw is not available, the spool can be tapped out against a wood block or blown out with compressed air. Upon reassembly, lubricate air valve with NLGI grade 2 molybdenum disulfide based grease or equivalent.



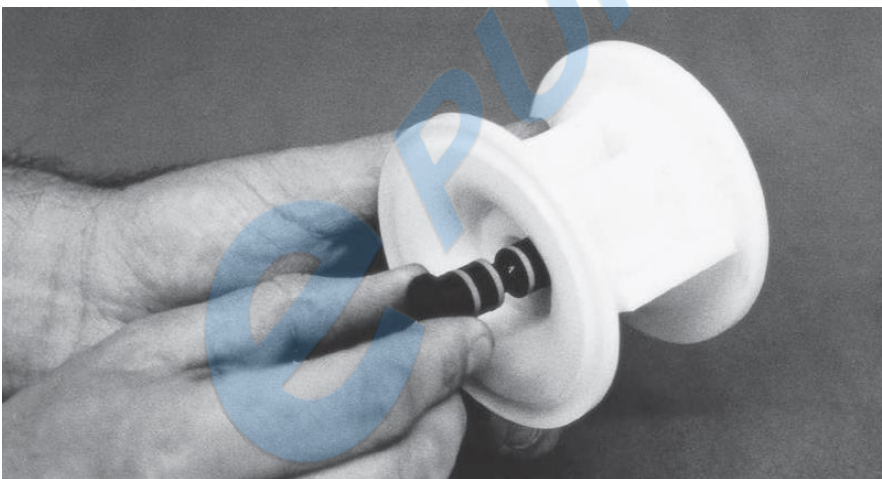
Step 5

Remove the porous polyethylene muffler element by sliding it toward the end cap opening. The element can be cleaned by soaking it in a cleaning solution (no solvents). If the muffler restricts the air exhaust, replace muffler element.



Step 6

Remove pilot spool retaining ring with an O-ring pick.



Step 7

Push pilot spool through center section and remove. Inspect seals for integrity and spool for damage. Replace pilot spool assembly if necessary. Upon reassembly of spool, apply a film of NLGI grade 2 molybdenum disulfide based grease or equivalent (P/N 99-8310-99).

Disassembly / Reassembly

Reassembly Hints & Tips

Upon performing applicable maintenance to the air distribution system, the pump can now be reassembled. Please refer to the disassembly instructions for photos and parts placement. To reassemble pump, follow the disassembly instructions in reverse order. The air distribution system needs to be assembled first, then the diaphragms, and finally the wetted parts. Please find applicable torque specifications in this section.

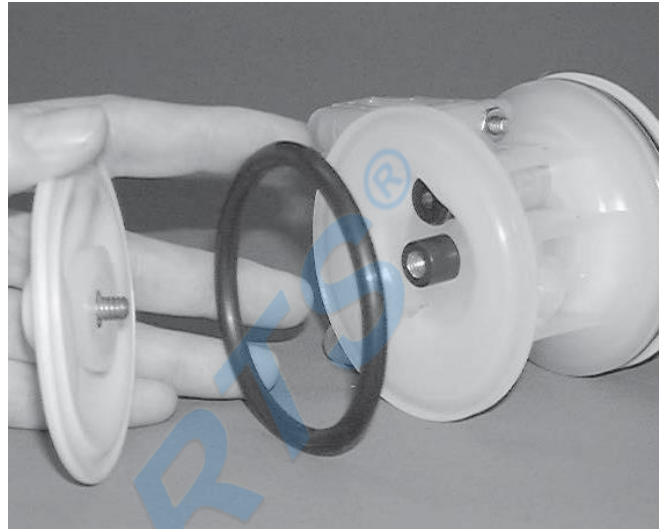


Rubber/TPE Diaphragm Configuration

There are two types of diaphragm configurations available for the P.025: 1) Rubber or TPE diaphragm, and 2) PTFE primary diaphragm with backup O-ring. Observe the "This Side Out" marking on the convex side of the diaphragm. Install the disc spring, inner piston, diaphragm, backup O-ring (PTFE -fitted models only), and the outer piston to main shaft assembly.



NOTE: PTFE-fitted pumps employ an integral piston diaphragm). Add a small amount of Loctite 242 to the bore of the main shaft. Set up time is 20 minutes. Tighten outer piston to torque value found below.



PTFE Diaphragm Configuration

Lubricate the main shaft assembly with NLGI grade 2 molybdenum disulfide based grease or equivalent and insert through main shaft bore in center section. Assemble the other side and torque to proper value as listed below. Please review the photos above for proper alignment

PRO-FLO® MAXIMUM TORQUE SPECIFICATIONS

Description of Part	Torque
Air Valve	2.3 N•m (20 in-lb)
Outer Piston, Rubber and TPE Diaphragms	4.6 N•m (40 in-lb)
Clamp Band	2.3 N•m (20 in-lb)
Manifold Bolt	5.6 N•m (50 in-lb)

- Apply a small amount of Loctite 242 to the internal threads of the shaft prior to reassembly.

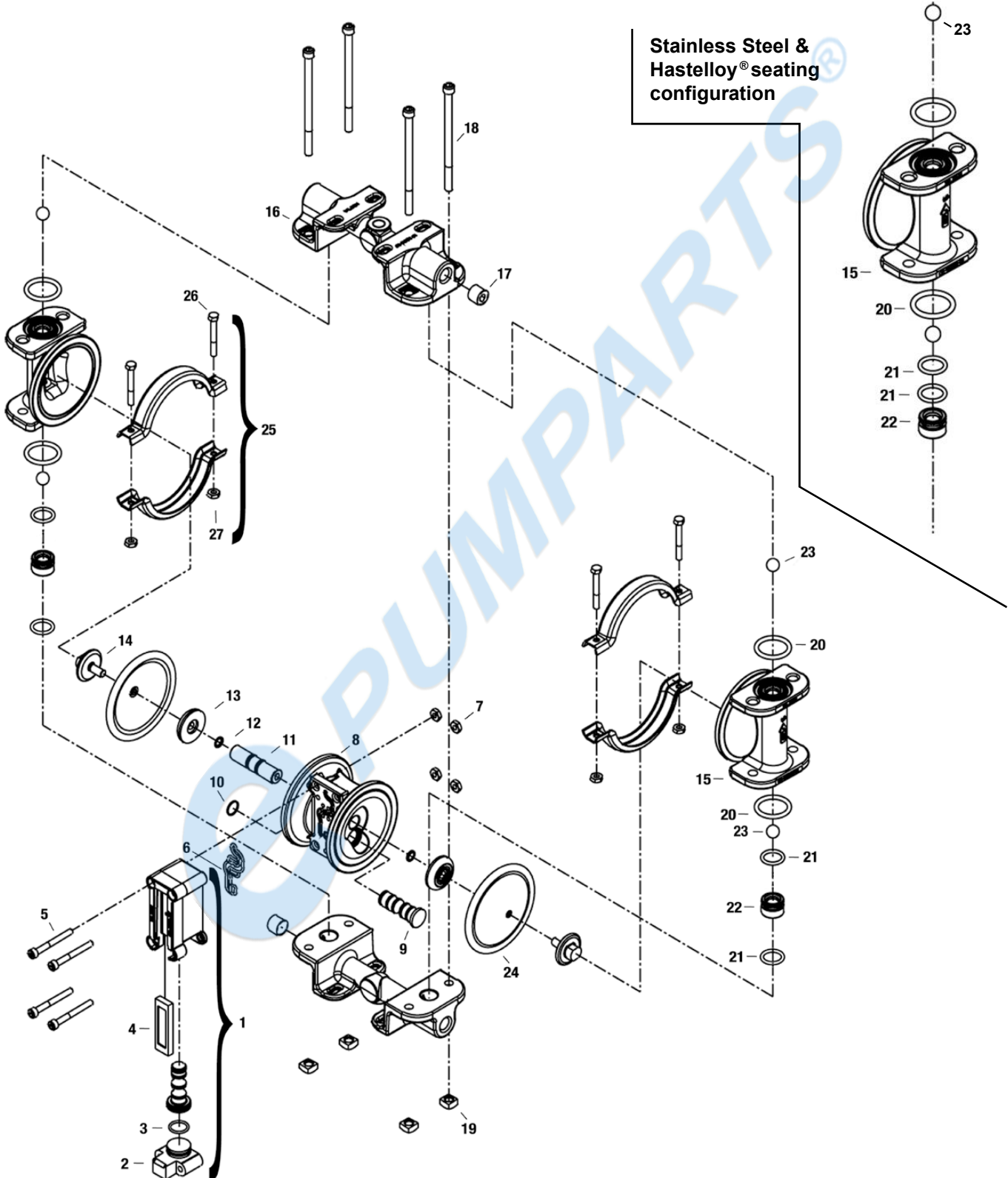
Section 8

EXPLODED VIEW AND PARTS LISTING

P.025 METAL

RUBBER/TPE - FITTED

EXPLODED VIEW



Exploded View and Parts List

Item #	Description	Qty. per Pump	P.025/APPP Aluminum P/N	P.025/ALLL Aluminum P/N	P.025/SPPP Stainless Steel P/N	P.025/SLLL Stainless Steel P/N	P.025/HPPP Hastelloy P/N	P.025/HLLL Hastelloy P/N
1	Pro-Flo™ Air Valve Assembly ¹	1	00-2000-20-700	00-2000-13-700	00-2000-20-700	00-2000-13-700	00-2000-20-700	00-2000-13-700
2	Pro-Flo™ Air Valve End Cap	1	00-2300-20-700	00-2300-13-700	00-2300-20-700	00-2300-13-700	00-2300-20-700	00-2300-13-700
3	End Cap O-Ring	1	00-2390-52-700	00-2390-52-700	00-2390-52-700	00-2390-52-700	00-2390-52-700	00-2390-52-700
4	Muffler Element	1	00-3240-26-700	00-3240-26-700	00-3240-26-700	00-3240-26-700	00-3240-26-700	00-3240-26-700
5	Air Valve Bolt	4	00-6000-03-700	00-6000-03-700	00-6000-03-700	00-6000-03-700	00-6000-03-700	00-6000-03-700
6	Air Valve Gasket	1	00-2600-52-700	00-2600-52-700	00-2600-52-700	00-2600-52-700	00-2600-52-700	00-2600-52-700
7	Air Valve Nut	4	01-6400-03	01-6400-03	01-6400-03	01-6400-03	01-6400-03	01-6400-03
8	Pro-Flo™ Center Section	1	00-3150-20-700	00-3150-13-700	00-3150-20-700	00-3150-13-700	00-3150-20-700	00-3150-13-700
9	Pilot Spool Assembly	1	00-3850-99-700	00-3850-99-700	00-3850-99-700	00-3850-99-700	00-3850-99-700	00-3850-99-700
10	Pilot Spool Retaining Ring	1	00-2650-03-700	00-2650-03-700	00-2650-03-700	00-2650-03-700	00-2650-03-700	00-2650-03-700
11	Main Shaft Assembly	1	00-3800-99-700	00-3800-99-700	00-3800-99-700	00-3800-99-700	00-3800-99-700	00-3800-99-700
12	Disc Spring	2	00-6800-08	00-6800-08	00-6800-08	00-6800-08	00-6800-08	00-6800-08
13	Inner Piston for Rubber/TPE	2	00-3700-20-700	00-3700-13-700	00-3700-20-700	00-3700-13-700	00-3700-20-700	00-3700-13-700
14	Outer Piston	2	00-4570-08	00-4570-08	00-4570-03	00-4570-03	00-4570-04	00-4570-04
15	Liquid Chamber	2	00-5000-01	00-5000-01	00-5000-03	00-5000-03	00-5000-04	00-5000-04
16	Manifold (NPT)	2	00-5050-01	00-5050-01	00-5050-03	00-5050-03	00-5050-04	00-5050-04
	Manifold (BSP)	2	00-5051-01	00-5051-01	00-5051-03	00-5051-03	00-5051-04	00-5051-04
17	Pipe Plug (NPT)	2	00-7010-08	00-7010-08	00-7010-03	00-7010-03	00-7010-04	00-7010-04
	Pipe Plug (BSP)	2	00-7011-08	00-7011-08	00-7011-03	00-7011-03	00-7011-04	00-7011-04
18	Manifold Bolt	4	01-6000-03	01-6000-03	01-6000-03	01-6000-03	01-6000-03	01-6000-03
19	Square Nut	4	00-6505-03	00-6505-03	00-6505-03	00-6505-03	00-6505-03	00-6505-03
20	Manifold O-ring*	4	*	*	*	*	*	*
21	Valve Seat O-Ring*	4	*	*	*	*	*	*
22	Valve Seat	4	00-1120-01**	00-1120-01**	00-1120-03	00-1120-03	00-1120-04	00-1120-04
23	Valve Ball	4	00-1080-55	00-1080-55	00-1080-55	00-1080-55	00-1080-55	00-1080-55
24	Diaphragm*	2	*	*	*	*	*	*
25	Clamp Band Assembly	2	00-7300-03	00-7300-03	00-7300-03	00-7300-03	00-7300-03	00-7300-03
26	—Clamp Band Bolt	4	01-6100-03	01-6100-03	01-6100-03	01-6100-03	01-6100-03	01-6100-03
27	—Clamp Band Nut	4	01-6400-03	01-6400-03	01-6400-03	01-6400-03	01-6400-03	01-6400-03

*Refer to Elastomer Options in Section 10.

¹Air Valve Assembly includes items 2, 3 and 4.

**Quantity per pump is 2

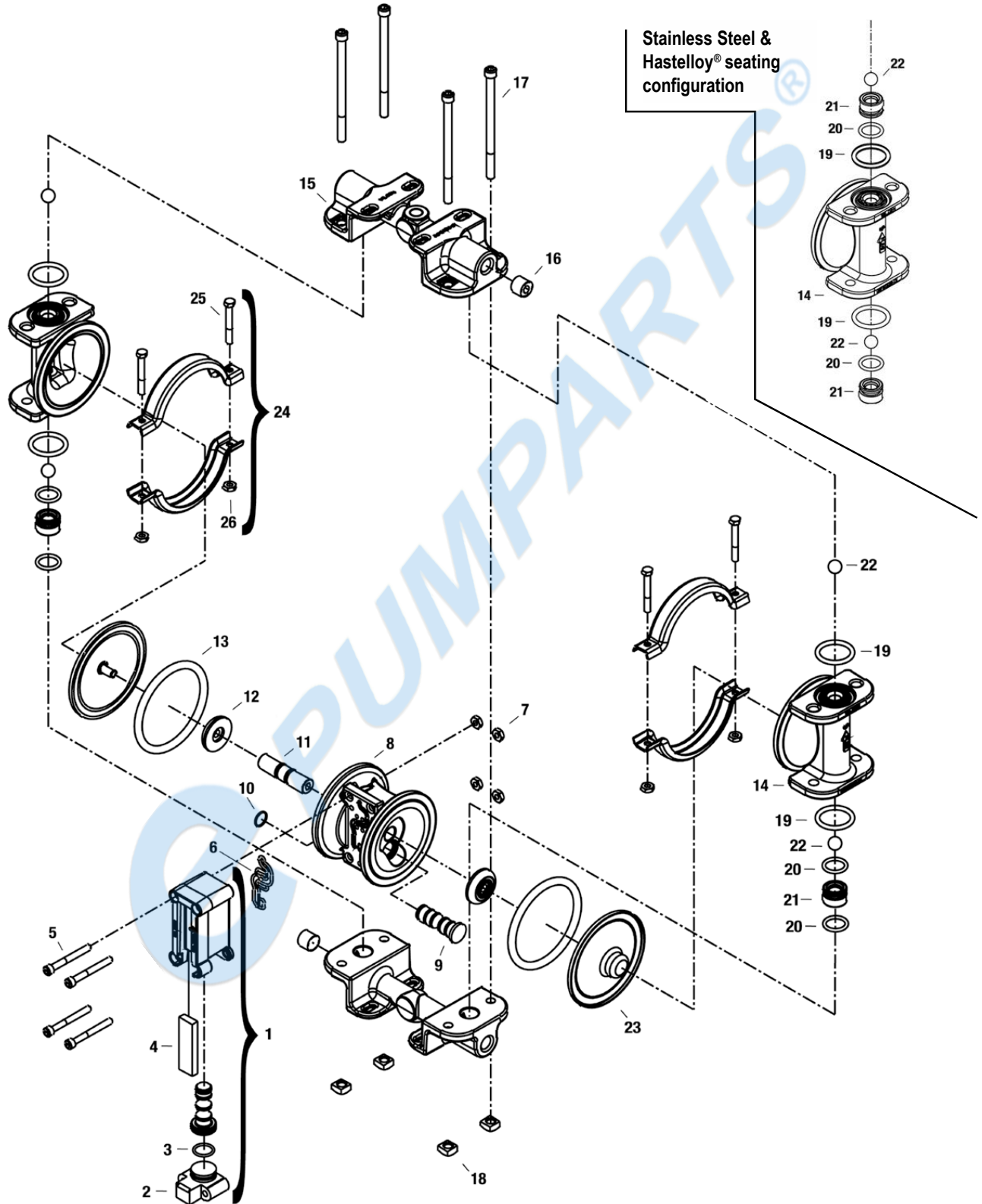
All boldface items are primary wear parts.

EXPLODED VIEW AND PARTS LISTING

P.025 METAL

PTFE - FITTED

EXPLODED VIEW



Exploded View and Parts List

Item #	Description	Qty. per Pump	P.025/APPP Aluminum P/N	P.025/ALLL Aluminum P/N	P.025/SPPP Stainless Steel P/N	P.025/SLLL Stainless Steel P/N	P.025/HPPP Hastelloy P/N	P.025/HLLL Hastelloy P/N
1	Pro-Flo™ Air Valve Assembly ¹	1	00-2000-20-700	00-2000-13-700	00-2000-20-700	00-2000-13-700	00-2000-20-700	00-2000-13-700
2	Pro-Flo™ Air Valve End Cap	1	00-2300-20-700	00-2300-13-700	00-2300-20-700	00-2300-13-700	00-2300-20-700	00-2300-13-700
3	End Cap O-Ring	1	00-3240-26-700	00-3240-26-700	00-3240-26-700	00-2390-52-700	00-2390-52-700	00-2390-52-700
4	Muffler Element	1	00-2340-26-700	00-2340-26-700	00-2340-26-700	00-3240-26-700	00-3240-26-700	00-3240-26-700
5	Air Valve Bolt	4	00-6000-03-700	00-6000-03-700	00-6000-03-700	00-6000-03-700	00-6000-03-700	00-6000-03-700
6	Air Valve Gasket	1	00-2600-52-700	00-2600-52-700	00-2600-52-700	00-2600-52-700	00-2600-52-700	00-2600-52-700
7	Air Valve Nut	4	01-6400-03	01-6400-03	01-6400-03	01-6400-03	01-6400-03	01-6400-03
8	Pro-Flo™ Center Section	1	00-3150-20-700	00-3150-13-700	00-3150-20-700	00-3150-13-700	00-3150-20-700	00-3150-13-700
9	Pilot Spool Assembly	1	00-3850-99-700	00-3850-99-700	00-3850-99-700	00-3850-99-700	00-3850-99-700	00-3850-99-700
10	Pilot Spool Retaining Ring	1	00-2650-03-700	00-2650-03-700	00-2650-03-700	00-2650-03-700	00-2650-03-700	00-2650-03-700
11	Main Shaft Assembly	1	00-3800-99-700	00-3800-99-700	00-3800-99-700	00-3800-99-700	00-3800-99-700	00-3800-99-700
12	Inner Piston for PTFE Fitted	2	00-3750-20-700	00-3750-13-700	00-3750-20-700	00-3750-13-700	00-3750-20-700	00-3750-13-700
13	Back-Up O-Ring	2	00-1070-51	00-1070-51	00-1070-51	00-1070-51	00-1070-51	00-1070-51
14	Liquid Chamber	2	00-5000-01	00-5000-01	00-5000-03	00-5000-03	00-5000-04	00-5000-04
15	Manifold (NPT)	2	00-5050-01	00-5050-01	00-5050-03	00-5050-03	00-5050-04	00-5050-04
	Manifold (BSP)	2	00-5051-01	00-5051-01	00-5051-03	00-5051-03	00-5051-04	00-5051-04
16	Pipe Plug (NPT)	2	00-7010-08	00-7010-08	00-7010-03	00-7010-03	00-7010-04	00-7010-04
	Pipe Plug (BSP)	2	00-7011-08	00-7011-08	00-7011-03	00-7011-03	00-7011-04	00-7011-04
17	Manifold Bolt	4	01-6000-03	01-6000-03	01-6000-03	01-6000-03	01-6000-03	01-6000-03
18	Square Nut	4	00-6505-03	00-6505-03	00-6505-03	00-6505-03	00-6505-03	00-6505-03
19	Manifold O-ring*	4	*	*	*	*	*	*
20	Valve Seat O-Ring*	4	*	*	*	*	*	*
21	Valve Seat	4	00-1120-01**	00-1120-01**	00-1120-03	00-1120-03	00-1120-04	00-1120-04
22	Valve Ball	4	00-1080-55	00-1080-55	00-1080-55	00-1080-55	00-1080-55	00-1080-55
23	Diaphragm	2	00-1030-55	00-1030-55	00-1030-55	00-1030-55	00-1030-55	00-1030-55
24	Clamp Band Assembly	2	00-7300-03	00-7300-03	00-7300-03	00-7300-03	00-7300-03	00-7300-03
25	—Clamp Band Bolt	4	01-6100-03	01-6100-03	01-6100-03	01-6100-03	01-6100-03	01-6100-03
26	—Clamp Band Nut	4	01-6400-03	01-6400-03	01-6400-03	01-6400-03	01-6400-03	01-6400-03

*Refer to Elastomer Options in Section 10.

¹Air Valve Assembly includes items 1, 2 and 3.

**Quantity per pump is 2

All boldface items are primary wear parts.

Section 9

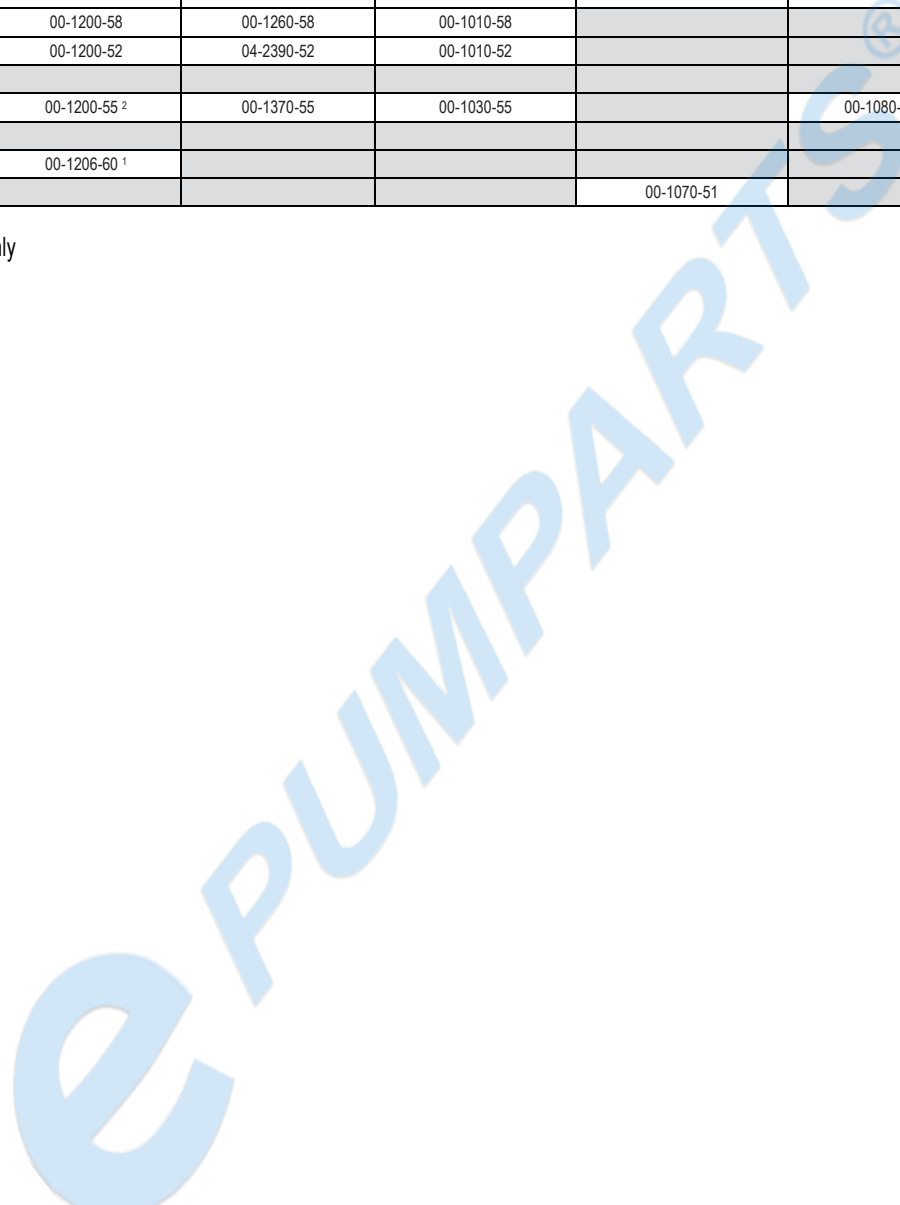
Elastomer Options

P.025 Metal

Material	Valve Seat O-Rings	Manifold O-Rings	Diaphragms	Backup Diaphragm O-Rings	Valve Balls
Wil-Flex™	00-1200-58	00-1260-58	00-1010-58		
Buna-N	00-1200-52	04-2390-52	00-1010-52		
FKM					
PTFE	00-1200-55 ²	00-1370-55	00-1030-55		00-1080-55
Stainless Steel					
PTFE-Encapsulated FKM	00-1206-60 ¹				
Neoprene				00-1070-51	

1 Used on SS/Hastelloy® only

2 Used on Aluminum only



Notes

ePUMPARTS[®]

Notes

ePUMPARTS[®]

Notes

ePUMPARTS[®]

PSG
22069 Van Buren Street
Grand Terrace, CA 92313-5651 USA
P: +1 (909) 422-1730 • F: +1 (909) 783-3440
psgdover.com

e-PUMPARTS[®]



Where Innovation Flows

PSG[®] reserves the right to modify the information and illustrations contained in this document without prior notice. This is a non-contractual document. 05-2018